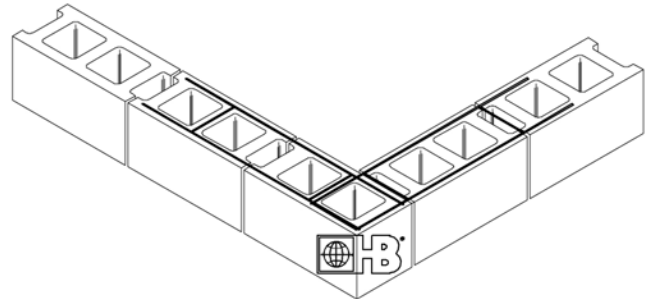
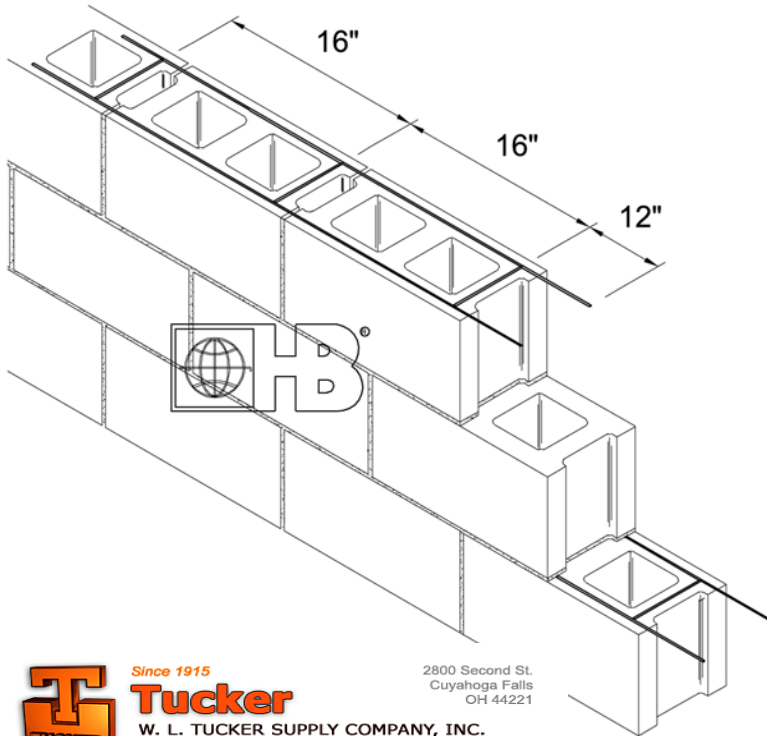




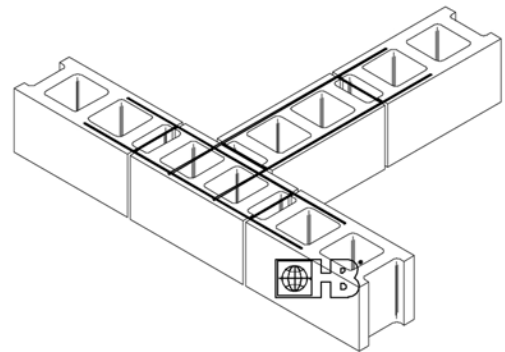
H&B BLOX ALL Ladder Reinforcement

04082/HOH
BuyLine 1823

#220 Ladder-Mesh (For Single Wythe Wall)



PREFABRICATED CORNER



PREFABRICATED TEE

DRAWINGS FOR ILLUSTRATIVE PURPOSES ONLY



Since 1915
Tucker

W. L. TUCKER SUPPLY COMPANY, INC.

"The Best Names In Construction Are Under Our Roof!"

2800 Second St.
Cuyahoga Falls
OH 44221

WWW.WLTUCKER.COM

CALL: 330.928.2155

MATERIAL CONFORMANCES - JOINT REINFORCEMENT

Hohmann & Barnard joint reinforcement products conform to Standard Specification ASTM A 951 & ACI / ASCE 530 (Building Code Requirements for Masonry Structures)

WIRE: (Carbon Steel): Prefabricated construction from cold-drawn steel wire conforming to ASTM A 82:

Tensile strength - 80,000 p.s.i.
Yield Point - 70,000 p.s.i. minimum

WIRE DIAMETER:

9 gauge (.148" or W1.7)

3/16" (.187" or W2.8)

Side Rods and Cross Rods available in any combination of the above. Cross Rods welded 16" O.C.

First Cross Rods welded 12" in from each end to allow lap splices per code requirements.

FINISHES:

- Mill galvanized coating: ASTM A 641 (0.1 oz/ft²).
Also available on special order: ASTM A 641 Class 1 (0.4 oz/ft²).
ASTM A 641 Class 3 (0.8 oz/ft²).
- Hot-dip galvanized after fabrication: ASTM A 153 (1.5 oz/ft²).
- Stainless Steel: ASTM A 580 - AISI Type 304 (Type 316 available on special order).
Note: H&B recommends Stainless Steel for maximum protection against corrosion.

WIRE SIZE:

- (S) Standard Weight:
9 Gauge Side Rods x 9 Gauge Cross Rods
- (EH) Extra Heavy:
3/16" Side Rods x 9 Gauge Cross Rods
- (SHD) Super Heavy Duty
3/16" Side Rods x 3/16" Cross Rods

BLOCK SIZE:

- 4" 12"
 - 6" 14"
 - 8" 16"
 - 10"
- Note: For Corner or Tee, state width of both block walls.



Hohmann & Barnard, Inc.

30 Rasons Court

Hauppauge, New York 11788

TEL: (800) 645-0616 FAX: (631) 234-0683

WEBSITE: www.h-b.com

E-MAIL: weanchor@h-b.com

©HOHMANN & BARNARD, INC. - 2009