



**HOHMANN & BARNARD, INC.**  
A MiTek - BERKSHIRE HATHAWAY COMPANY

# Weep Holes/Vents

## QV - Quadro-Vent™



Since 1915

**Tucker**

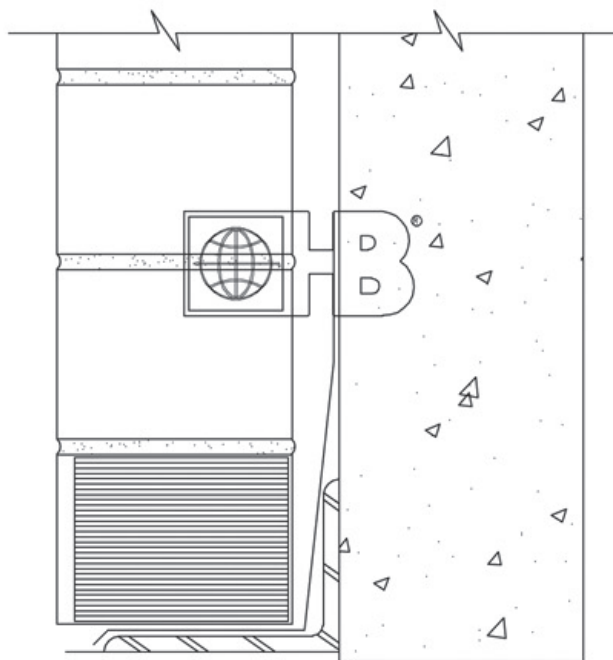
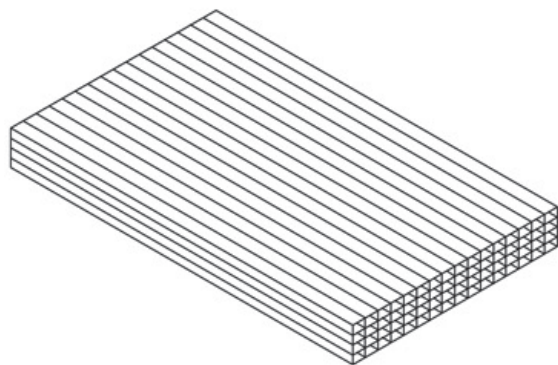
W. L. TUCKER SUPPLY COMPANY, INC.

"The Best Names In Construction Are Under Our Roof!"

2800 Second St.  
Cuyahoga Falls  
OH 44221

[WWW.WLTUCKER.COM](http://WWW.WLTUCKER.COM)

CALL: 330.928.2155



DRAWINGS FOR ILLUSTRATIVE PURPOSES ONLY

**Quadro-Vent's** honeycomb design allows passage of moisture from cavity to the building exterior while restricting ingress of insects and other debris.

- Allows passage of moisture up to its 2 ½" height, important in the event of mortar droppings at bottom of cavity.
- Is suitable for top of wall venting.
- Polypropylene tested in conformance with ASTM D2240, ASTM D790B, ASTM D638, and ASTM D1238B.

**Color:**

- |                                 |                                |                                |                                |
|---------------------------------|--------------------------------|--------------------------------|--------------------------------|
| <input type="checkbox"/> Gray   | <input type="checkbox"/> Clear | <input type="checkbox"/> Buff  | <input type="checkbox"/> Black |
| <input type="checkbox"/> Almond | <input type="checkbox"/> Cocoa | <input type="checkbox"/> White |                                |

**Size:**

- Standard (3/8" thick x 3 ¾" wide x 2 ½" tall)
- Jumbo (3/8" thick x 3 ¾" wide x 3 ½" tall)
- Custom 3/8" x \_\_\_\_\_ x \_\_\_\_\_

**HOHMANN & BARNARD, Inc.**  
30 Rasons Court | Hauppauge, NY 11788  
CORPORATE HEADQUARTERS  
T: 800.645.0616 F: 631.234.0683  
[www.h-b.com](http://www.h-b.com)

**Branch/Subsidiary Locations:**  
ALABAMA - ILLINOIS - MARYLAND  
NEW YORK - PENNSYLVANIA - TEXAS  
CANADA

© HOHMANN & BARNARD, INC. - 2012