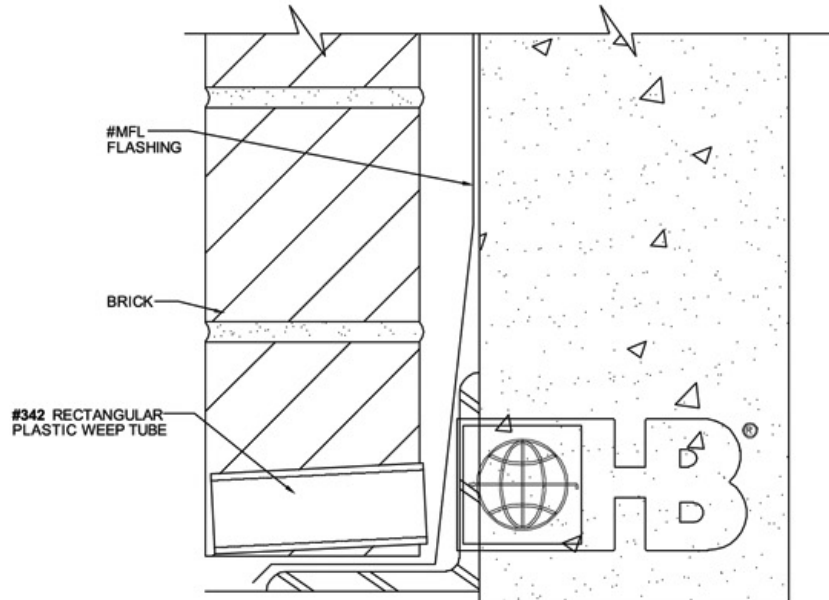
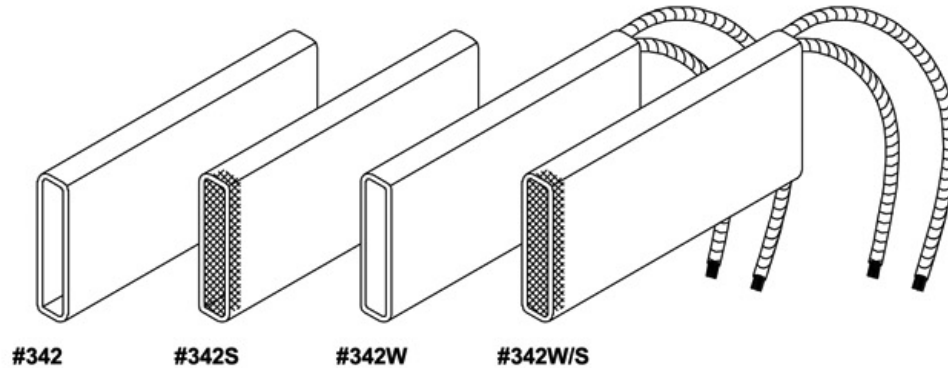


#342 Rectangular Plastic Weep Holes



DRAWINGS FOR ILLUSTRATIVE PURPOSES ONLY

MATERIAL:

■ Manufactured from Clear Butyrate. Tested in conformance with ASTM D 542, D 149, D 696 and D 257.

#342:

□ 3/8" x 1 1/2" x 3 1/2"

#342W:

□ 3/8" x 1 1/2" x 3 1/2" (Provided with cotton wick attached)

#342S:

□ 3/8" x 1 1/2" x 3 1/2" (Provided with screen insert)

□ Brass screen □ Stainless Steel screen

#342W/S:

□ 3/8" x 1 1/2" x 3 1/2" (Provided with both wick and screen insert)

□ Brass screen □ Stainless Steel screen