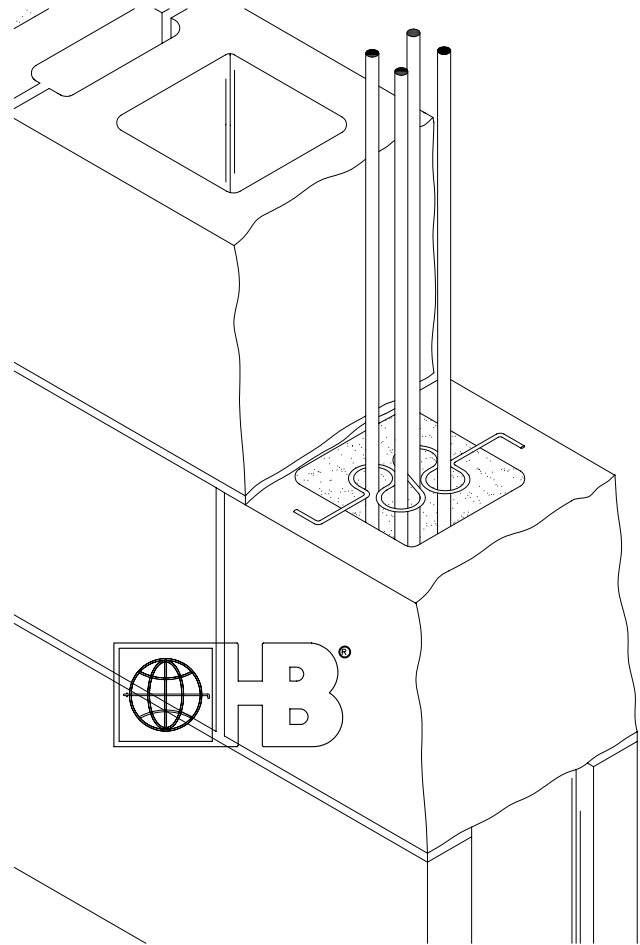
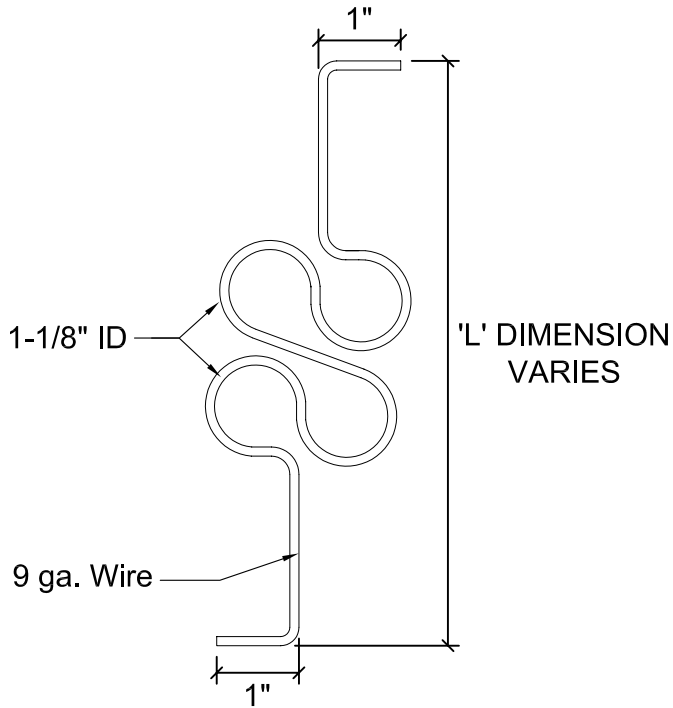


# #RB-TWIN - Rebar Positioners



DRAWINGS FOR ILLUSTRATIVE PURPOSES ONLY

**WIRE:** (Carbon Steel):  
 Cold-drawn steel wire conforming to ASTM A 82:  
 Tensile strength - 80,000 p.s.i.  
 Yield Point - 70,000 p.s.i. minimum

**WIRE DIAMETER:**  
 9 gauge (.148" or W1.7)

**FINISHES:**

- Mill galvanized coating: ASTM A 641 (0.1 oz/ft )
- Hot-dip galvanized after fabrication: ASTM A 153 (1.5 oz/ft )
- Stainless Steel: ASTM A 580 - AISI Type 304 (Type 316 available on special order)

Note: H&B recommends Stainless Steel for maximum protection against corrosion.

**PRODUCT# (SIZE):**

- RB-TWIN-6 (L=4" FOR 6" BLOCK)
- RB-TWIN-8 (L=6" FOR 8" BLOCK)
- RB-TWIN-10 (L=8" FOR 10" BLOCK)
- RB-TWIN-12 (L=10" FOR 12" BLOCK)