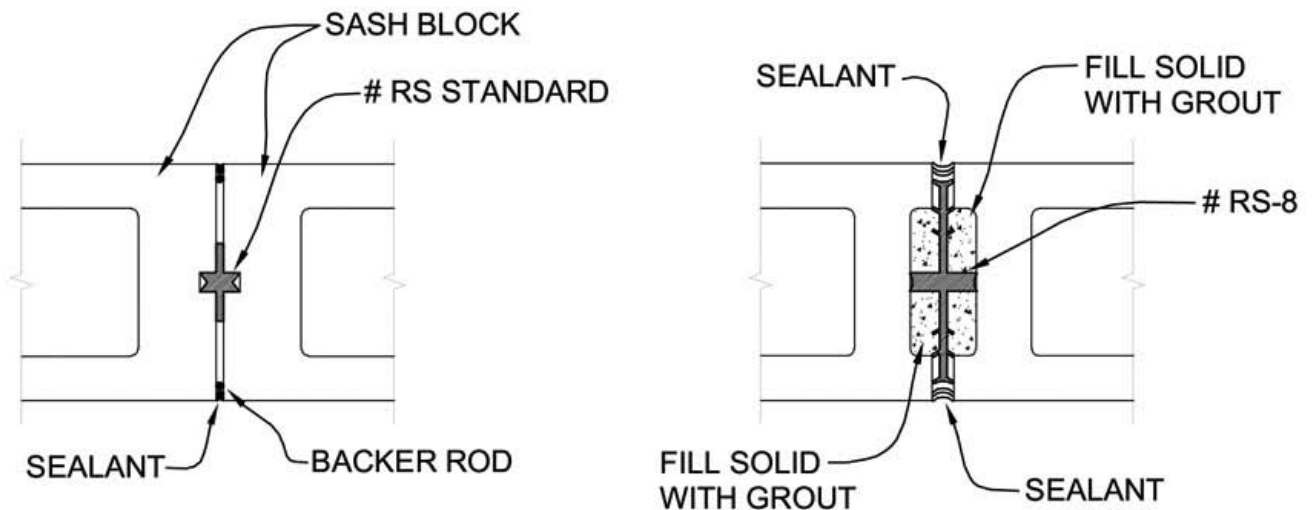
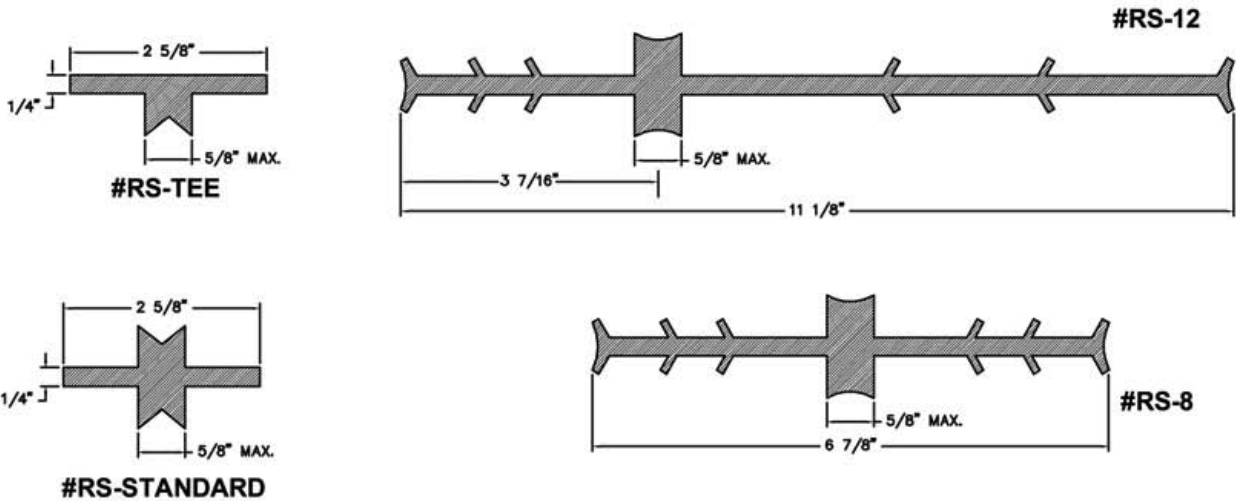


#RS Series - Rubber Control Joint



DRAWINGS FOR ILLUSTRATIVE PURPOSES ONLY

FEATURES:

- Extruded rubber material designed for masonry walls at control joints
- Rubber material conforms to ASTM D2000 2AA-805 (type rubber 654-06) with a durometer hardness of 80 (+ or - 5) when tested in conformance with hardness of 80 (+ or - 5) when tested in conformance with ASTM D-2240
- Length per piece is 4 ft.

#RS Series:

- #RS-STANDARD
- #RS-TEE
- #RS-8
- #RS-12