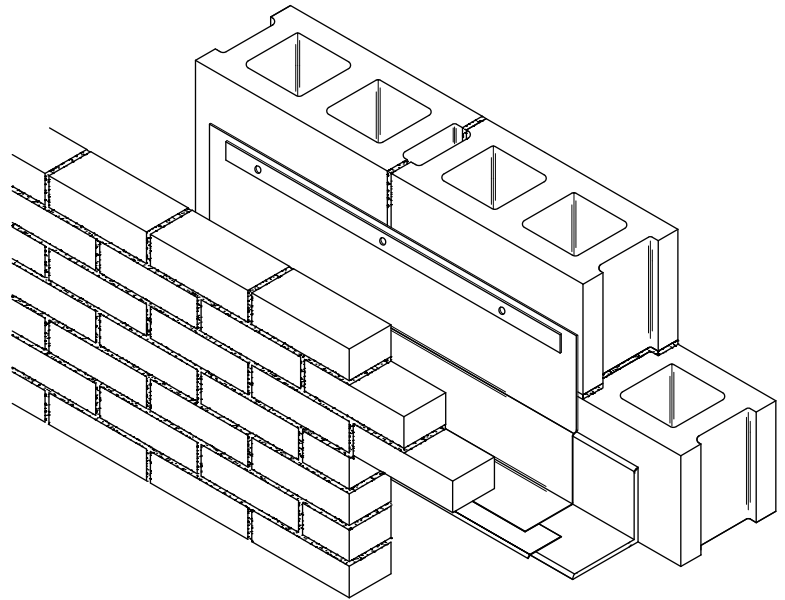
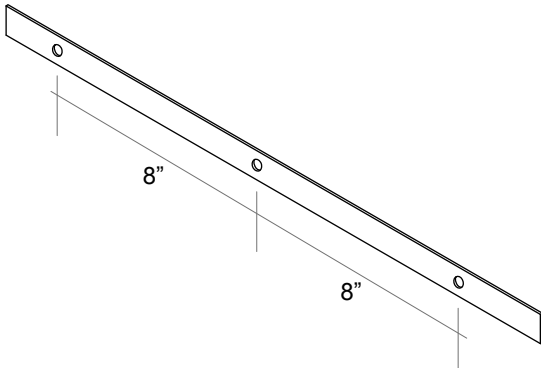


H&B T1 - TERMINATION BAR



H&B T1 - Termination Bar

Used at top of flashing to mechanically secure it to the back-up. Compatible with all H&B Surface-Mount flashings. Available with optional Foam-Tite Seal™ to aid in inhibiting moisture infiltration. A factory-installed foam strip helps seal small voids occurring between the termination bar and any irregular surfaces of the substrate, while offering added protection against water penetration due to deterioration of the sealant.

U.S. Pat. No. 6,945,000
Other Patents Pending

Size

1/8" thick x 1" wide x 8' long
with 1/4" diameter holes, spaced 8" o.c.

Finishes

- Stainless Steel (Type 304)
- Aluminum
- Plastic (PVC)

Optional

- FTS (Foam-Tite Seal™)