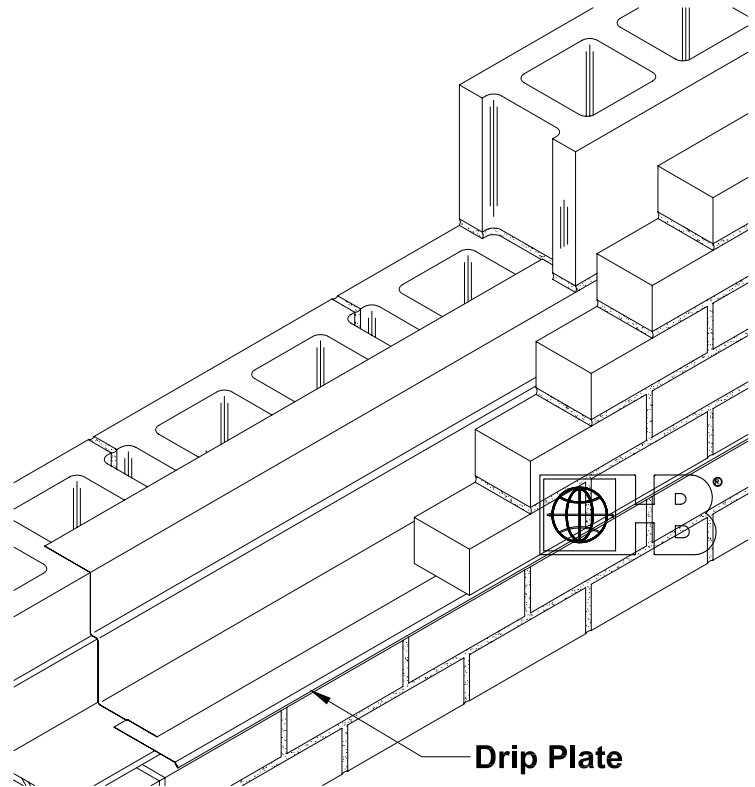
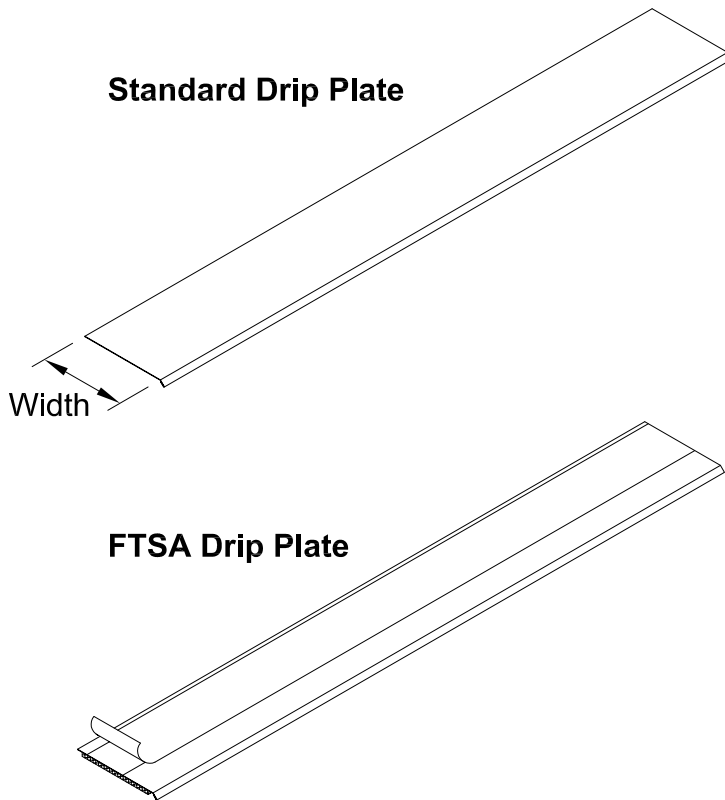


## DP - Drip Plate



DRAWINGS FOR ILLUSTRATIVE PURPOSES ONLY

<p><b>Drip Plates</b> Stainless Steel Type 304: ASTM A 240, ASTM A 666, ASTM A 480, ASTM A 167 Copper: ASTM B 370 - #110 Alloy Lead-Coated Copper: ASTM B 370 - #110 Alloy</p>	<ul style="list-style-type: none"> <li><input type="checkbox"/> DP - Standard Drip Plate</li> <li><input type="checkbox"/> DP-LB - Standard Drip Plate (Lip Brick)</li> <li><input type="checkbox"/> DP-FTS - Drip Plate with Foam-Tite Seal™</li> <li><input type="checkbox"/> DP-FTS-LB - Drip Plate with Foam-Tite Seal™(Lip Brick)</li> <li><input type="checkbox"/> DP-FTSA - Drip Plate Foam-Tite Seal™ and Flash-Adhere™ Adhesive Strip*</li> <li><input type="checkbox"/> DP-FTSA-LB Drip Plate Foam-Tite Seal™ and Flash-Adhere™ Adhesive Strip* (Lip Brick)</li> </ul> <p>*Flash-Adhere™ Adhesive Strip is ONLY suitable for use with Flex-Flash® or Copper-Flex™ Flashing</p> <p><b>Optional:</b></p> <ul style="list-style-type: none"> <li><input type="checkbox"/> Inside Corner Piece</li> <li><input type="checkbox"/> Outside Corner Piece</li> <li><input type="checkbox"/> End Dam (State dimensions when ordering)</li> </ul> <p><b>Width:</b></p> <ul style="list-style-type: none"> <li><input type="checkbox"/> 1 1/2"    <input type="checkbox"/> 3"</li> <li><input type="checkbox"/> 2"        <input type="checkbox"/> 3 1/2"</li> <li><input type="checkbox"/> 2 1/2"    <input type="checkbox"/> Other _____</li> </ul> <p><b>Material:</b></p> <ul style="list-style-type: none"> <li><input type="checkbox"/> Type 304 Stainless Steel 26 gauge standard</li> <li><input type="checkbox"/> Type 304 Stainless Steel _____ gauge (state gauge)</li> <li><input type="checkbox"/> Copper 16 ounce</li> <li><input type="checkbox"/> Copper 12 ounce</li> <li><input type="checkbox"/> Lead-Coated Copper 16 ounce</li> <li><input type="checkbox"/> Lead-Coated Copper 12 ounce</li> </ul>
<p><b>DP</b> Our Standard Drip Plate, furnished with a smooth, factory-formed hemmed edge for installation safety and uniform appearance. <b>Standard DP Drip Plates</b> are compatible with all H&amp;B flashing products.</p> <p><b>DP-LB</b> Same as above, for lip brick conditions.</p> <p><b>FTS</b> Optional <b>Foam-Tite Seal™</b> offers unique added protection against the ingress of water in cavity wall construction. It is a continuous 1/8" thk. strip of factory-installed compressible foam to act as a bond-break and help prevent air and moisture infiltration.</p> <p><b>FTS-LB</b> Same as above, for lip brick conditions.</p> <p><b>FTSA</b> Adds our optional <b>Flash-Adhere™ Adhesive Strip*</b> to the FTS Drip Plate (as described above). This adhesive strip (with tear-off release paper) is factory-installed on the top side of the drip plate to aid in the precise and permanent placement of the flashing.</p> <p><b>FTSA-LB</b> Same as above, for lip brick conditions.</p> <p>For corner pieces, reference "<b>inside</b>" or "<b>outside</b>" with above product numbers.</p> <p><b>*Flash-Adhere™ Adhesive strip is ONLY suitable for use with Flex-Flash or Copper-Flex™ Flashing.</b></p>	