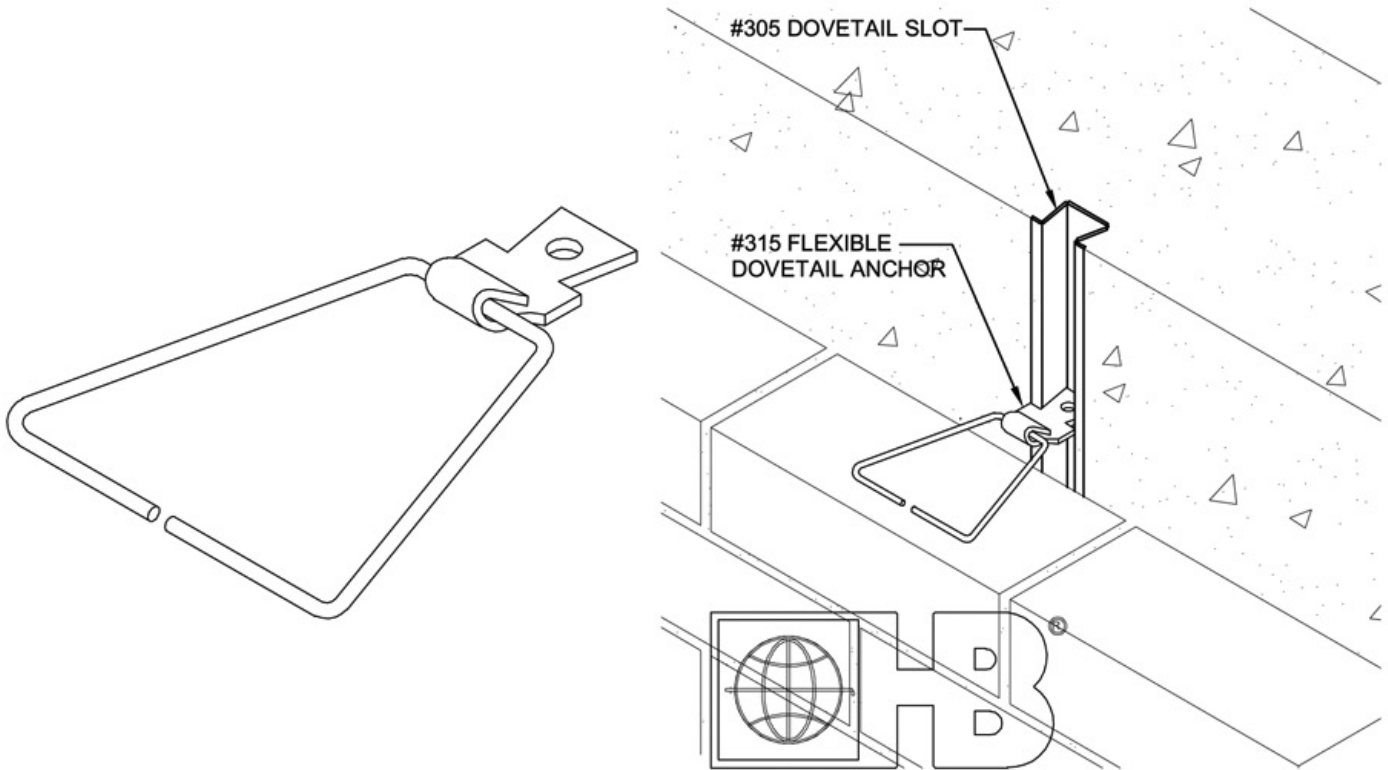


#315 Flexible Dovetail Tie



DRAWINGS FOR ILLUSTRATIVE PURPOSES ONLY

WIRE (Carbon Steel):
Cold-drawn steel wire conforming to ASTM A 82:
Tensile strength - 80,000 p.s.i.
Yield Point - 70,000 p.s.i. minimum
Zinc Coating:
Hot-dip galvanized after fabrication: ASTM A 153 (1.5 oz/ft)
Note: Hohmann & Barnard will certify to a minimum of 2.0 oz/ff

WIRE (Stainless Steel):
ASTM A 580 - AISI Type 304. (Type 316 available on special order.)

SHEET METAL (Carbon Steel):
ASTM A 366
Zinc Coating:
ASTM A 153 Class B (sheet metal ties and anchors hot-dip galvanized after fabrication).
Note: Hohmann & Barnard will certify to a minimum of 2.0 oz/ff

SHEET METAL (Stainless Steel):
ASTM A 167 - AISI Type 304 Stainless Steel (sheet metal ties and anchors) (Type 316 available on special order).
Note: H&B recommends Stainless Steel for maximum protection against corrosion.

DOVETAIL HEAD:
 14 Gauge Standard
 12 Gauge Heavyweight

VEE WALL TIE DIAMETER:
 3/16"Ø Standard
 1/4"Ø Heavyweight

VEE WALL TIE LENGTH:
 3" 3 1/2" 4" 4 1/2" 5"
 OTHER LENGTH _____

FINISH:
 Hot Dip Galvanized
 Stainless Steel



Since 1915

Tucker

W. L. TUCKER SUPPLY COMPANY, INC.

"The Best Names In Construction Are Under Our Roof!"

2800 Second St.
Cuyahoga Falls
OH 44221

WWW.WLTUCKER.COM

CALL: 330.928.2155

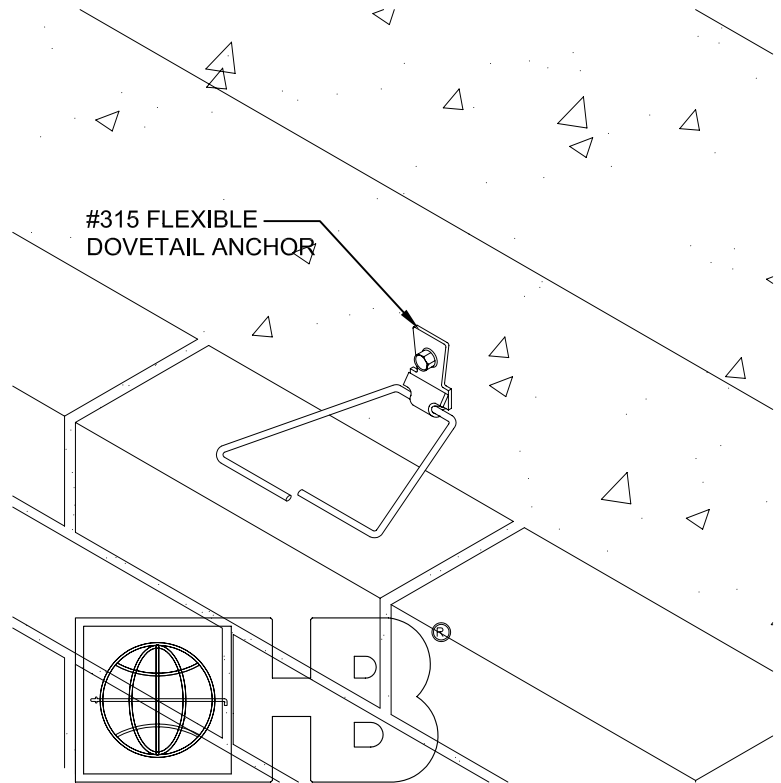
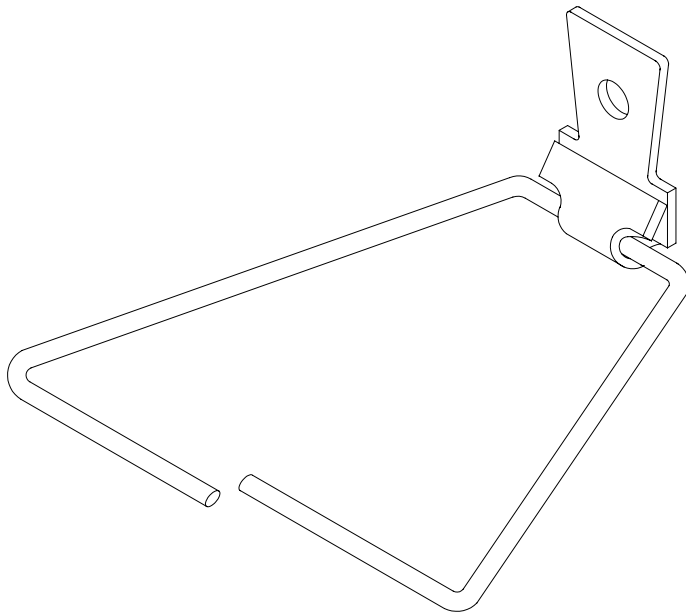


Hohmann & Barnard, Inc.
30 Rasons Court
Hauppauge, New York 11788
TEL: (800) 645-0616 FAX: (631) 234-0683

WEBSITE: www.h-b.com
E-MAIL: weanchor@h-b.com

© HOHMANN & BARNARD, INC. - 1999

#315 Flexible Dovetail Tie



DRAWINGS FOR ILLUSTRATIVE PURPOSES ONLY

WIRE (Carbon Steel):

Cold-drawn steel wire conforming to ASTM A 82:
Tensile strength - 80,000 p.s.i.
Yield Point - 70,000 p.s.i. minimum
Zinc Coating:
Hot-dip galvanized after fabrication: ASTM A 153 (1.5 oz/ft)
Note: Hohmann & Barnard will certify to a minimum of 2.0 oz/ft

WIRE (Stainless Steel):

ASTM A 580 - AISI Type 304. (Type 316 available on special order.)

SHEET METAL (Carbon Steel):

ASTM A 366
Zinc Coating:
ASTM A 153 Class B (sheet metal ties and anchors hot-dip galvanized after fabrication).
Note: Hohmann & Barnard will certify to a minimum of 2.0 oz/ft

SHEET METAL (Stainless Steel):

ASTM A 167 - AISI Type 304 Stainless Steel (sheet metal ties and anchors) (Type 316 available on special order).
Note: H&B recommends Stainless Steel for maximum protection against corrosion.

DOVETAIL HEAD:

- 14 Gauge Standard
- 12 Gauge Heavyweight

VEE-BYNA TIE® DIAMETER:

- 3/16"Ø Standard
- 1/4"Ø Heavyweight

VEE-BYNA TIE® LENGTH:

- 3" 3 1/2" 4" 4 1/2" 5"
- OTHER LENGTH _____

FINISH:

- Hot Dip Galvanized
- Stainless Steel