



Since 1915
Tucker

2800 Second St.
Cuyahoga Falls
OH 44221

W. L. TUCKER SUPPLY COMPANY, INC.
"The Best Names In Construction Are Under Our Roof!"

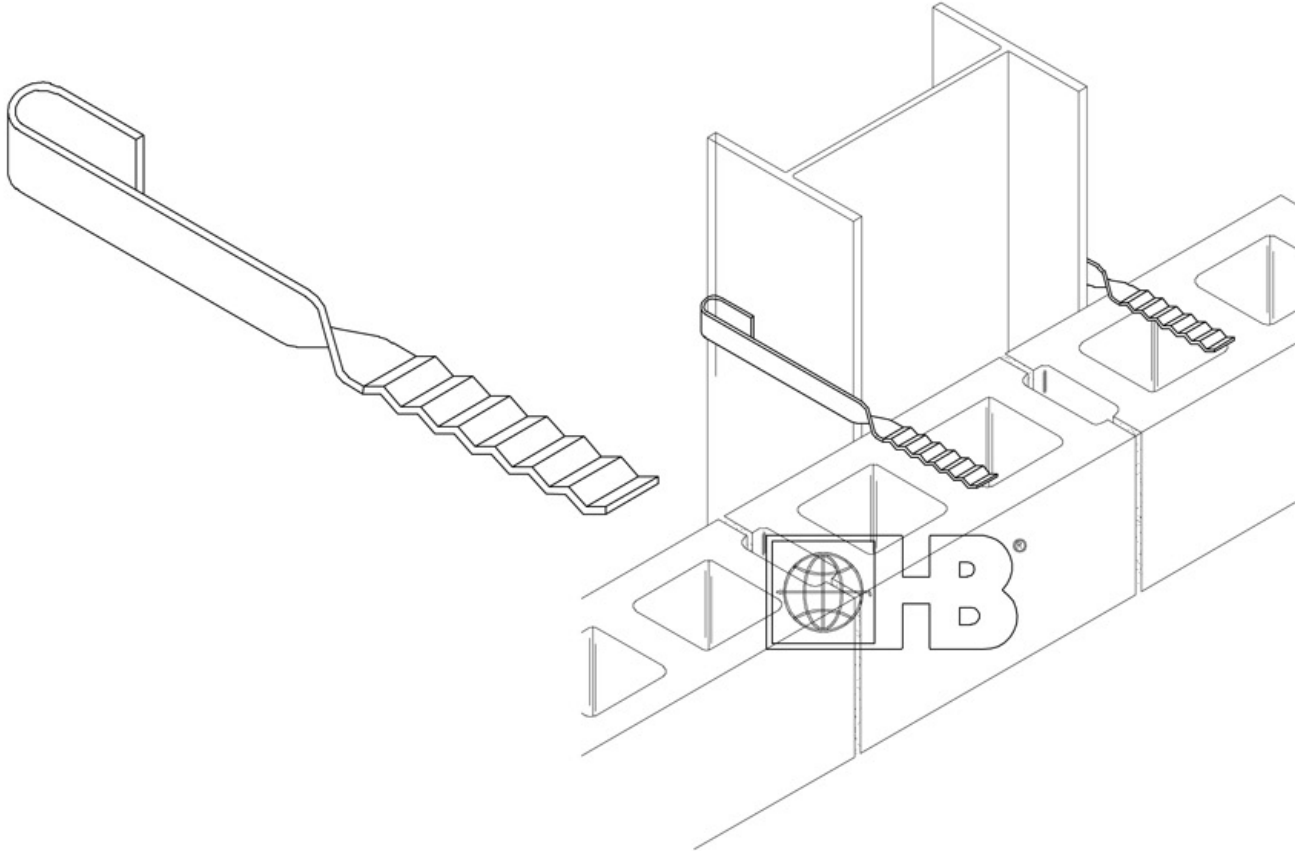
WWW.WLTUCKER.COM / CALL: 330.928.2155



Column and Beam Anchors

04082/HOH
BuyLine 1823

#353 - Column Anchor



DRAWINGS FOR ILLUSTRATIVE PURPOSES ONLY

SHEET METAL (Carbon Steel):

ASTM A 366
Zinc Coating:
ASTM A 153 Class B (sheet metal ties and anchors hot-dip galvanized after fabrication)
Note: Hohmann & Barnard will certify to a minimum of 2.0 oz/ft²

SHEET METAL (Stainless Steel):

ASTM A 167 - AISI Type 304 Stainless Steel (sheet metal ties and anchors) (Type 316 available on special order)
Note: H&B recommends Stainless Steel for maximum protection against corrosion.

THICKNESS:

12 Gauge

LENGTH:

_____ (Under Notch)

WIDTH:

1 1/4"

FINISHES:

- Mill galvanized
- Hot-dip galvanized
- Stainless Steel

NOTES:

- State overall length of anchor and flange width when ordering

We Anchor The World



Hohmann & Barnard, Inc.
30 Rasons Court
Hauppauge, New York 11788
TEL: (800) 645-0616 FAX: (631) 234-0683

WEBSITE: www.h-b.com
E-MAIL: weanchor@h-b.com

©HOHMANN & BARNARD, INC. - 1999