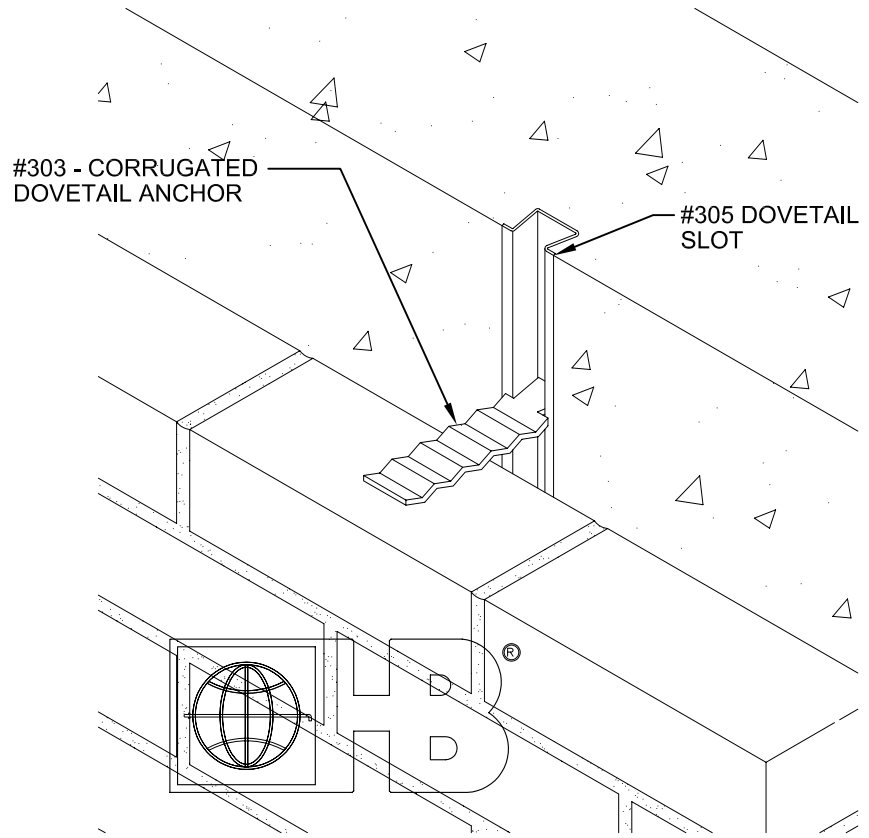
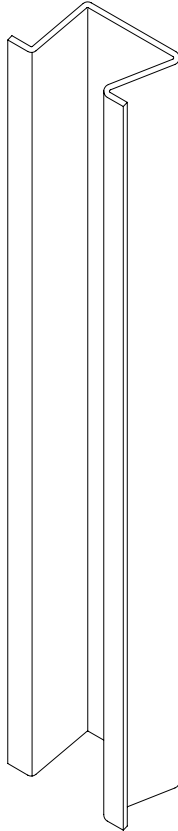


#305 - Dovetail Slot



DRAWINGS FOR ILLUSTRATIVE PURPOSES ONLY

SHEET METAL (Carbon Steel):

ASTM A 366

Zinc Coating:

ASTM A 153 Class B (sheet metal ties and anchors hot-dip galvanized after fabrication).

Note: Hohmann & Barnard will certify to a minimum of 2.0 oz/ft

SHEET METAL (Stainless Steel):

ASTM A 666, ASTM A 480, ASTM A 240, ASTM A 167 - AISI Type 304 Stainless Steel (sheet metal ties and anchors) (Type 316 available on special order).

Note: H&B recommends Stainless Steel for maximum protection against corrosion.

#305 DOVETAIL SLOT THICKNESS:

24 Gauge

22 Gauge

20 Gauge

18 Gauge

16 Gauge

FINISH:

Mill Galvanized

Hot Dip Galvanized

Stainless Steel

Note: Slots are 10 foot lengths, foam-filled.